



BIM software for MEP professionals

# Stabicad

TRANSFORMING THE WAY THE WORLD WORKS

 **Trimble**



# 4 Reasons for choosing Stabicad



## CREATE 3D MECHANICAL MODELS THAT ARE TRULY CONSTRUCTIBLE IN REVIT

From concept to installation, Stabicad provides integrated calculations, up-to-date manufacturer content and comprehensive productivity tools that support you in producing the highest levels of detail in your 3D designs quickly in Revit.

1

### More productive engineering

Realize a high quality MEP system in the shortest possible time.

3

### High-quality uniform content

Direct link to up-to-date content and relevant manufacturer data.

2

### Integrated calculation

Modelling and calculating in one model prevents errors and duplication of effort.

4

### BIM to the job site

Stabicad works with Trimble Total Stations and 3D laser scanners to connect BIM to the construction site.



# The Trimble Constructible Process

Whatever you can imagine, you can build.

From boots on the ground to buildings in the sky, the Trimble Constructible Process lets you build beyond BIM. Using constructive data and real-time collaboration, every person, phase and process works together seamlessly, optimizing the entire design, build and operate lifecycle.

Thanks to its intuitive design solutions, high quality content and connected collaboration features, Stabicad fits seamlessly with this process and enables you to create 3D mechanical models that are truly constructible.

## CONSTRUCTIBLE DESIGNS

Stabicad contains a full suite of unique tools specifically created to aid UK designers with intuitive connection solutions. Efficiently produce truly constructible, detailed 3D mechanical designs to prefabricate off-site and install on-site.

## HIGH QUALITY CONTENT

Stabicad offers fully integrated, up-to-date UK and international manufacturer specific content, generic and editable content, and full access to MEP BIM libraries. Stabicad can produce Revit models as accurate to the intended model as possible.

## CONNECTED COLLABORATION

With access to Trimble Connect included with Stabicad, mechanical designers can share, manage and access all project data with all other Trimble Connect users such as key stakeholders, helping to quickly identify and rectify clashes, communicate changes and invite feedback at anytime, anywhere.



# Discover the Stabicad features



## CREATE 3D MECHANICAL MODELS THAT ARE TRULY CONSTRUCTIBLE IN REVIT

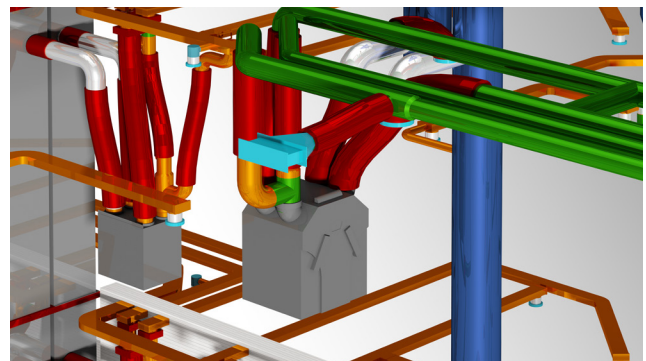
**From concept to installation, Stabicad provides integrated calculations, up-to-date manufacturer content and comprehensive productivity tools that support you in producing the highest levels of detail in your 3D designs quickly in Revit.**

- ▶ Design 3D mechanical models in Revit
- ▶ Run integrated calculations to UK regulations for HVAC sizing
- ▶ Intuitive connection solutions (Nodesolver)
- ▶ Sprinkler Design Tool to European standards
- ▶ Advanced prefabrication capabilities
- ▶ Extensive localised library of MEP content
- ▶ Produce schematic diagrams to interact with the 3D Revit model
- ▶ Connected Collaboration with Trimble Connect



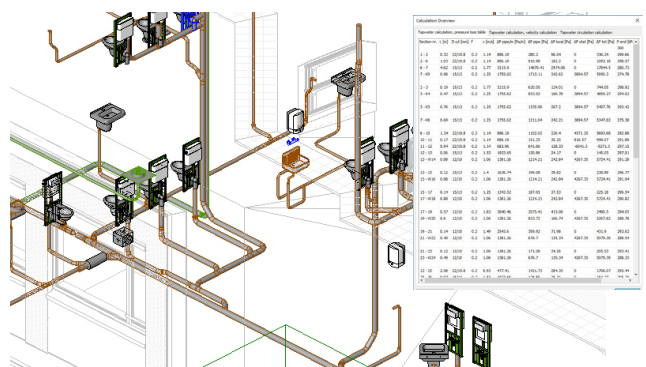
### 3D MEP design in Revit

Stabicad seamlessly integrates with Autodesk Revit to perform calculations and design 3D models and 2D schematics in accordance with UK regulations. Stabicad software is totally dedicated to building-services applications, including HVAC, plumbing and fire-service pipework. Drawings can be viewed, drawn and edited in 2D as well as 3D, enabling MEP engineers and contractors to check for clashes with other equipment and structural elements. Openings for MEP is one of many other available functionalities specifically built for the MEP industry.



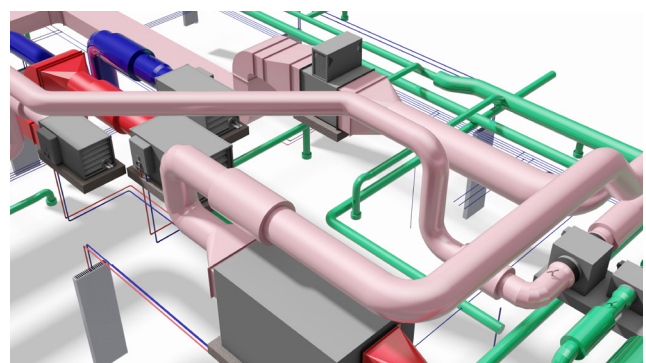
### CIBSE and CIPHE standards integrated

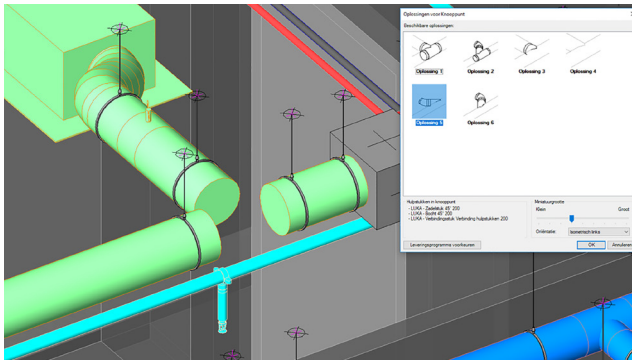
Save time and prevent the errors associated with using external third-party calculation software. Stabicad provides fast, accurate, fully integrated calculations in accordance with CIBSE and international standards. Whether you need to calculate duct work, system balancing, sound, chilled and hot water, tap water, or waste water, Stabicad gives you direct insight into the best design choices.



### Ventilation library according to DW144

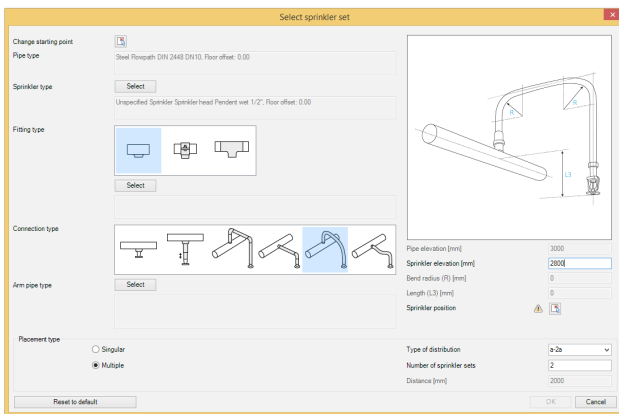
DW144 is the Standard Specification for ductwork and is aligned to all current BS, BS EN ISO and other standards and regulations in the UK. It defines specifications for sheet metal ductwork for low, medium and high pressure/velocity air systems and covers ductwork application, materials, classification and air leakage.





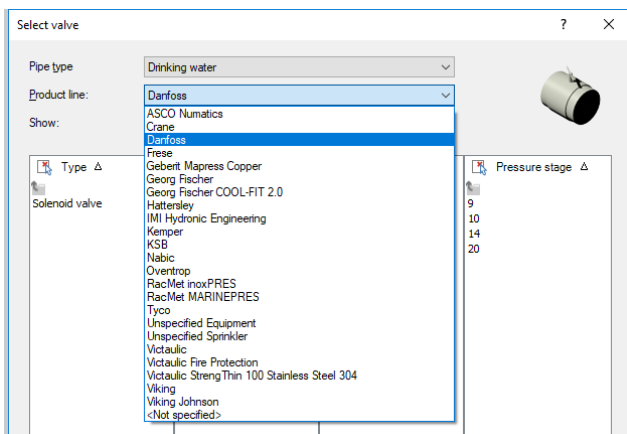
## Nodesolver - the perfect connection tool

The Nodesolver is a unique connections tool available in Stabicad to connect pipes, ducts and other elements and resolve complex nodes quickly and accurately. You can connect a grille to the ventilation system and the nodesolver will automatically place the necessarily ductwork, damper and flexibles where needed, creating a truly constructible and practical solution. All the offered solutions are feasible in practice. The selected solution will automatically be implemented in your model.



## Sprinkler Design Tool

The new Stabicad for Revit sprinkler module has been developed together with users. As a result, this new piece of design and calculation software contains what is in demand in practice. From placing multiple sprinklers with any desired connection to the calculation of your systems. With the sprinkler module you can easily model sprinkler systems from the dry pipe valve up to the sprinkler head.



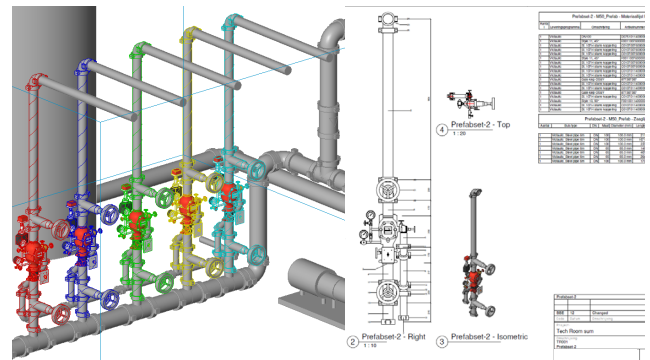
## Manufacturer based constructible content

Go beyond Revit with high-quality standardised UK and international manufacturer constructible content embedded in Stabicad. With the availability of up-to-date manufacturer data and the ability to add them directly to the model via links, you're assured that you have the right items present during the entire lifecycle of a model.



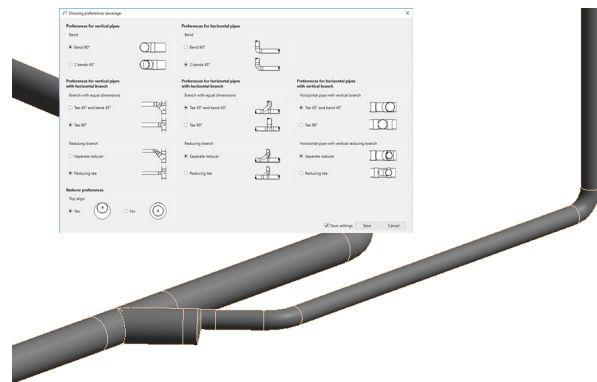
## Advanced prefab capabilities

Minimize your preparation time for accurate and timely off-site prefabrication. The Stabicad prefab functionality minimizes preparation time. This makes it easy for you to create prefab sets through selection, and the coding tool can be used to code the sets in your own desired way with standard or personalized codes. Prefab sheets can be generated automatically and tags are inserted automatically. Stabicad enables a complete and seamless prefabrication workflow, from concept to installation.



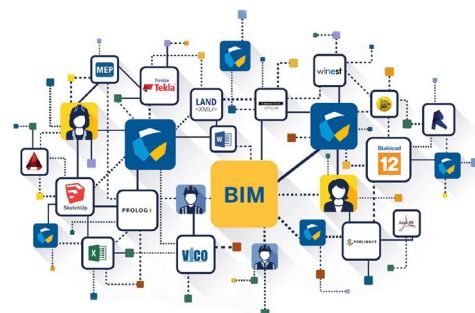
## Autorouting supported

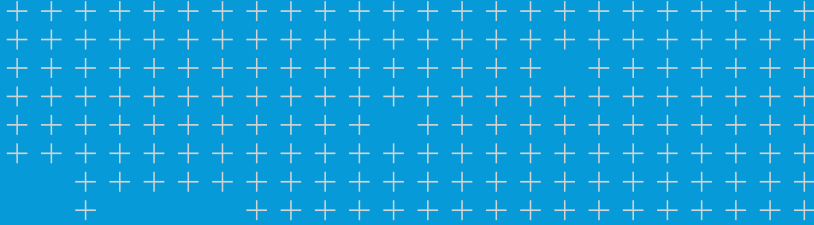
Autorouting is ideal for quickly setting up and calculating a system during the design stage. Stabicad supports Revit's autorouting functionality, allowing for modelling a pipe system to be dynamic. When adjusting the dimensions of a system, the specific properties will be automatically updated in Revit. For example, when adjusting the diameter, the article number will be updated automatically.



## Trimble Connect for better collaboration

Share, manage and access all project data with all other key stakeholders with Trimble Connect, which is included with Stabicad. Trimble Connect helps you to quickly identify and rectify clashes, communicate changes and invite feedback at anytime, anywhere.





# Trimble Connect

Trimble Connect enables collaboration for engineering and construction projects. Connecting the right people at the right time making use of the correct, up-to-date data. By sharing data in the design context, better decision-making becomes possible leading to increased productivity in all stages of the project; from first design to project completion.

Publish models from Autodesk Revit for others to view in Trimble Connect. With the Revit add-in, you'll be able to upload .RVT files to Trimble Connect from within Autodesk Revit. Accessible via Desktop, Mobile or Web.

- ▶ At a glance gain insight into the project status
- ▶ Current models and plans are always at hand
- ▶ All data saved in a secured environment in the cloud
- ▶ Model-based communication
- ▶ Bring 2D and 3D data together
- ▶ Powerful 3D environment with high capacity and performance
- ▶ Easily share data with your project team
- ▶ Track user activity
- ▶ Project history is automatically saved
- ▶ Usable anywhere



## Interested?

Do not hesitate to contact us!

 01908 608833

 [amtech-sales@trimble.com](mailto:amtech-sales@trimble.com)

Trimble Dealer Address

Trimble Inc, Bank House  
171 Midsummer Boulevard  
Milton Keynes  
MK9 1EB